



Dupps Prebreaker

New 15" and 24" machines, plus complete service and parts for Reitz and Svaertek grinding equipment.



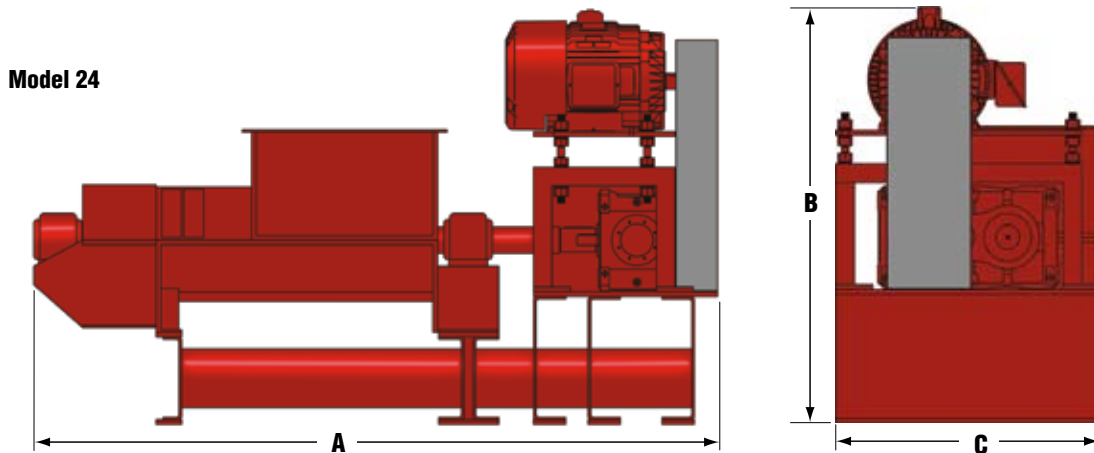
- Brand new 15" and 24" Prebreakers, manufactured by Dupps, feature unsurpassed reliability and performance.
- Rapid-response Dupps service, including in-plant or pick-up and delivery, is available for Reitz and Svaertek grinders, as well as Dupps machines.
- We maintain a complete inventory of American-made replacement parts for Reitz, Svaertek and Dupps equipment, with immediate shipping when necessary.
- Parts are available for both edible and inedible product machine configurations.
- Comprehensive Dupps service includes a machine exchange program for commonly used Reitz and Svaertek grinders.

Dupps Prebreaker

New 15" and 24" machines, plus complete service and parts for Reitz and Svaertek grinding equipment.



Model 15



Model 24

Model	A - Length	B - Height	C - Width	Approx. Capacity
15	3,810 mm • 12' 6"	1,600 mm • 63"	1,536 mm • 60"	18.1 MT/hr • 20 ST/hr
24	3,778 mm • 12' 5"	2,286 mm • 90"	1,448 mm • 57"	31.7 MT/hr • 35 ST/hr

Due to ongoing product improvements, data shown here is subject to change without notice.

The Dupps Company



Germantown, Ohio U.S.A.
Phone: 937/855-6555
Fax: 937/855-6554
E-mail: info@dupps.com

Visit www.dupps.com to explore the world's leading protein recycling systems, equipment and service.

© 2018 The Dupps Company Printed in U.S.A.