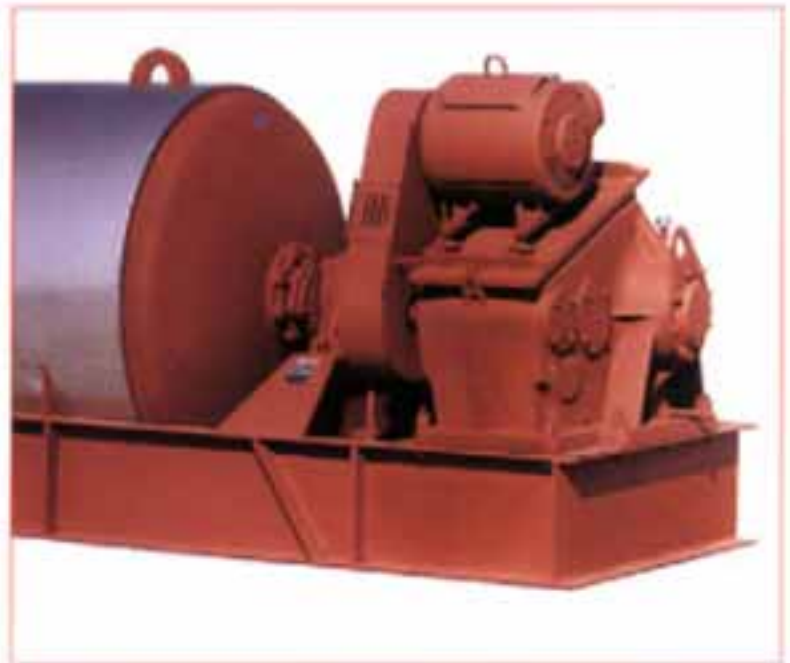


BATCH COOKER

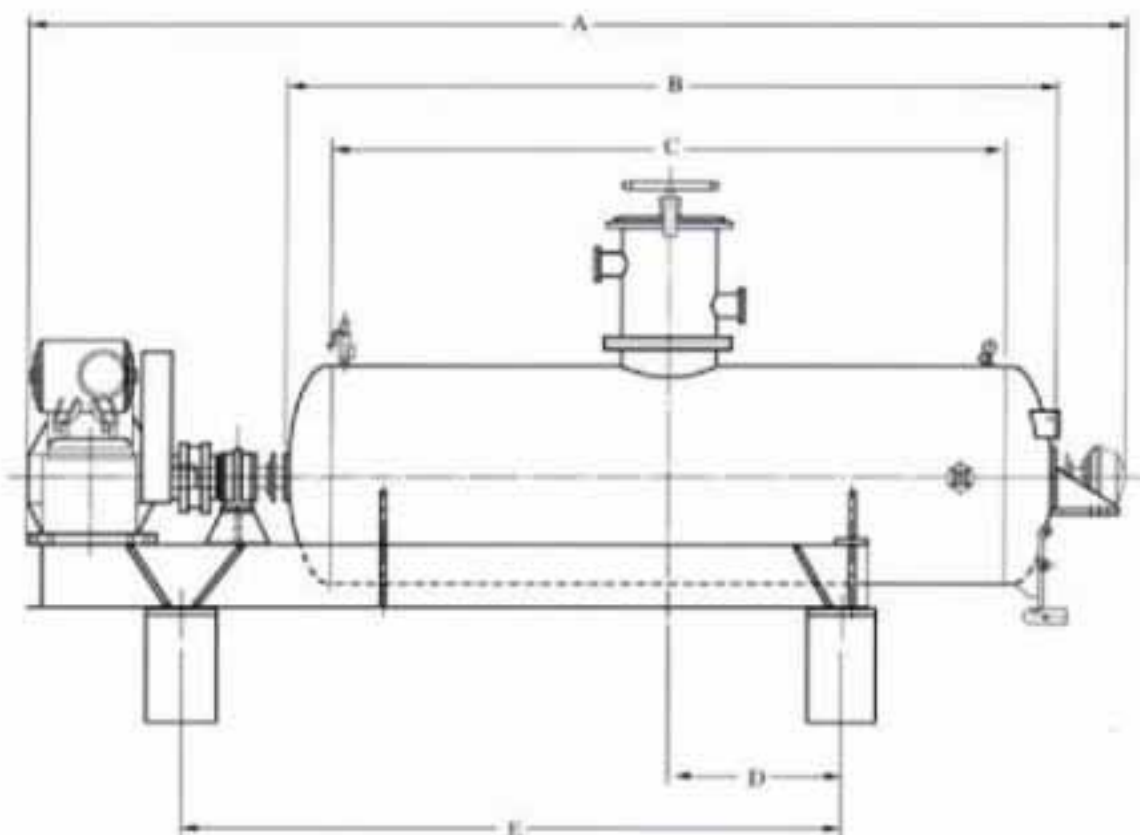


Features

- Capacities to 10,000 lbs.
- Herringbone gear reducer drive requires only minimal maintenance.
- Strong underframe simplifies piping and allows easy access for cleaning.
- Overlapping agitator arms are pitched forward to assure complete discharge, full shell coverage and even agitation.
- Special agitator arm offers even distribution of dry products for applications such as feather hydrolyzing.
- Counter-weighted, top-hinged round discharge door aids rapid discharge.
- Heavy-duty, spherical roller bearings.
- Extra thick and rigged cooker shells.
- Dupps cookers are entirely welded, including the jacketed cooker heads.
- Frame mounted gear reducer and drive for strength and rigidity.
- ASME Code construction for 100 psi internal and jacket working pressure.



BATCH COOKER



SPECIFICATIONS NO. 8 DRIVE COOKER

NOMINAL COOKER SIZE		APPROX. CAPACITY		VOLUME		GROSS WEIGHT		MOTOR		BOILER	
ft	mm	lbs	kg	cu. ft.	cu. m	lbs	kg	HP	KW	HP	KW
5 x 12	1,524 x 3,658	8,000	3,600	201	5.7	20,000	9,000	30-60	22.4-44.8	75	56.0
5 x 16	1,524 x 4,877	10,000	4,500	240	6.8	27,000	12,250	50-75	37.3-56.0	90	67.0

A		B		C		D		E	
ft.	mm	ft.	mm	ft.	mm	ft.	mm	ft.	mm
20'10 1/4"	6,369	14'5"	4,394	12'2 1/2"	3,721	34"	864	12'0"	3,658
24'4 1/4"	7,421	17'1"	5,207	14'10 1/2"	4,534	47 1/4"	1,200	14'8"	4,470

The Dupps Company



Germantown, Ohio U.S.A.

Phone: 937/855-6555 • Fax: 937/855-6554 • E-mail: info@dupps.com

Visit www.dupps.com to find in-depth descriptions of the world's leading protein recycling systems, equipment and service.

Due to ongoing product improvements, data shown here is subject to change without notice. Contact The Dupps Company for latest specifications.

© 2006 The Dupps Company

Printed in U.S.A.