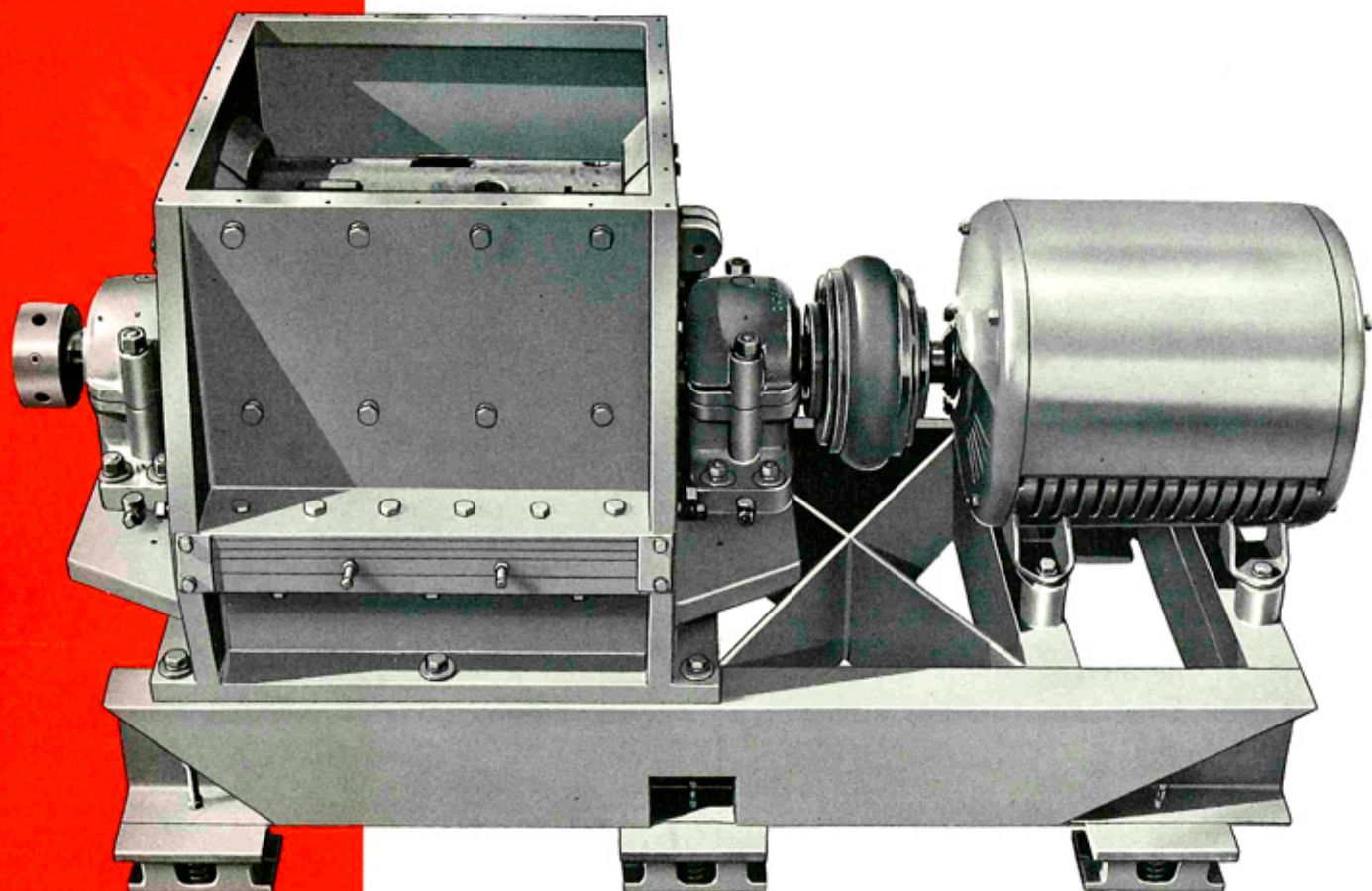




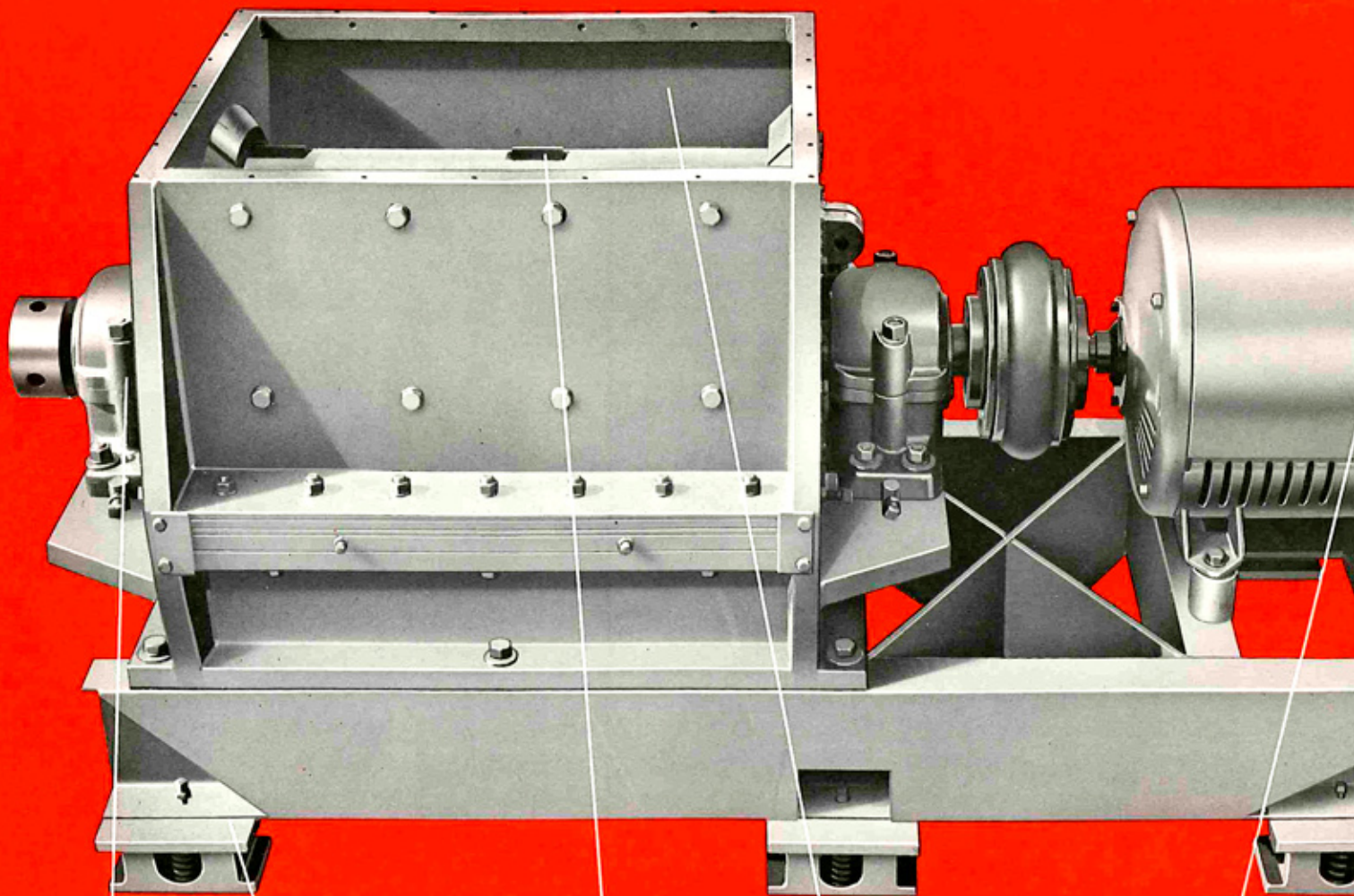
# HOGOR



*The Dupps Co.  
Germantown, Ohio 45327*



*Manufacturer of  
Process Machinery*



30 Knife Hogor

**Extra-Heavy Duty Double Row Bearings** on machined bearing brackets—assure perfect alignment (and long life) of rotor, bearings and couplings.

**Optional Structural Steel Base**—Has Vibration Isolators . . . a combination that effectively dampens all vibrations.

**High Speed Narrow Knives**—Slice small consistently sized particles. Mounted in a solid steel rotor.

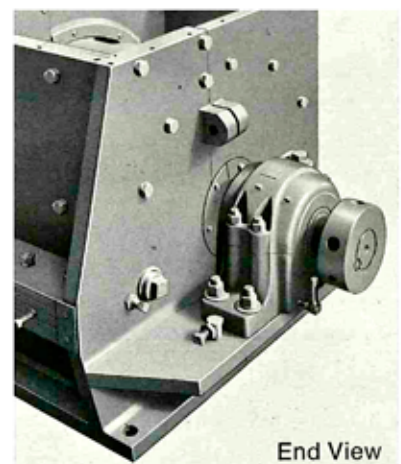
**Large Feed Opening**—Whole hogs, beef quarters and horse quarters can be fed into the Hogor with no additional cut-up. Can be fed from any direction.

**High Capacity, Extremely Rugged Construction**—Built to really take it. Example: Can handle up to 2-200 HP motors—1½" thick steel frame.

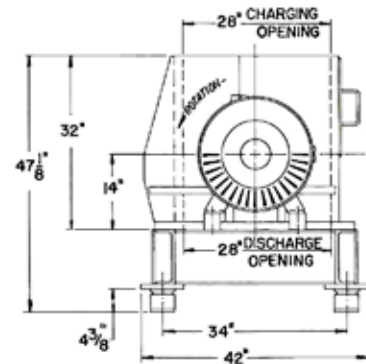
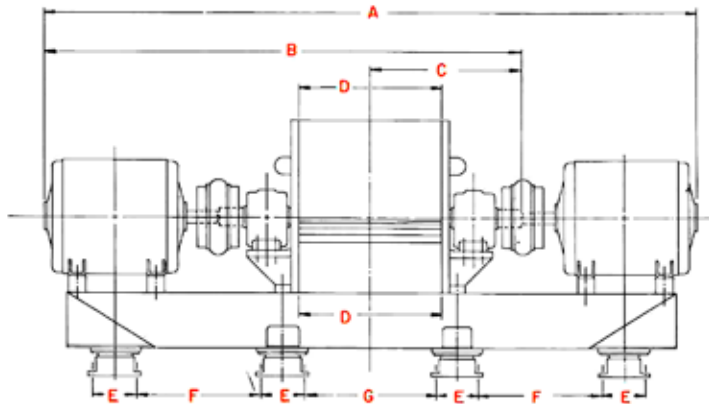
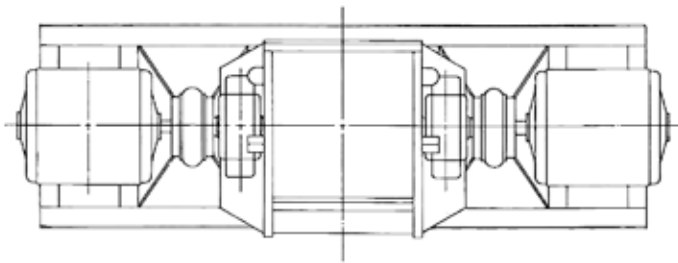


# HIGH CAPACITY HOGOR SAVES PROCESSING HOURS

Saving cut-up time (because of the large feed opening and the high grinding capacity) is a major advantage of the Dupps Hogor. But, this is by no means the only advantage...there are many more. For example, its high speed narrow knives slice small, uniform particle sizes...increasing cooker capacity, decreasing cooking time and insuring consistently uniform cooking. To make sure that no liquids escape, the housing is effectively and completely sealed. The backs of the knives are serrated so that they do not slide in the knife pocket... they are held in place by a single high tensile strength bolt. To minimize maintenance, both the vertical and horizontal anvil have four edges that can be used before regrinding or replacement becomes necessary. To supplement all of these advantages, you have assurance of performance and quality in the Dupps name. You can be sure that experienced Dupps rendering engineers have included the same standards of quality in this Hogor that you've come to expect from other Dupps products...maximum efficiency, low maintenance, easy accessibility to all components, and a substantial return on your investment.



End View



OUTLINE-21 KNIFE & 30 KNIFE HOGGERS  
WITH DUAL MOTORS

SIZE	A*	B*	C	D	E	F	G
DUKE 21" KNIFE	10'-4"	90"	28"	26 5/8"	8"	24 5/8"	22 7/8"
DUKE 30" KNIFE	11'-2"	8'-4"	33"	36 3/4"	8"	33 3/4"	23 7/8"

\*Dimensions A and B based on 150 H.P. Motor

The Dupps Company



Germantown, Ohio U.S.A.

Phone: 937/855-6555 • Fax: 937/855-6554 • E-mail: info@dupps.com

Visit [www.dupps.com](http://www.dupps.com) to find in-depth descriptions of the world's leading protein recycling systems, equipment and service.

Due to ongoing product improvements, data shown here is subject to change without notice. Contact The Dupps Company for latest specifications.

© 2011 The Dupps Company

Printed in U.S.A.