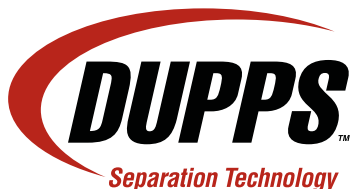


## **DUPPS-GRATT RENDERING DECANTER**

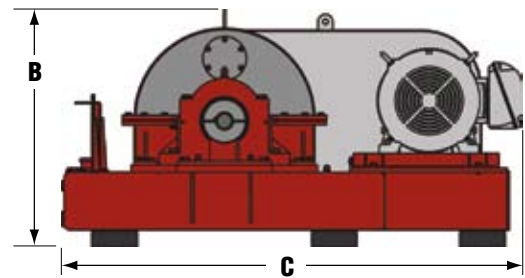
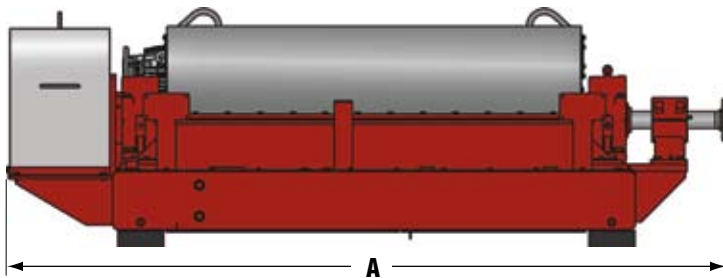
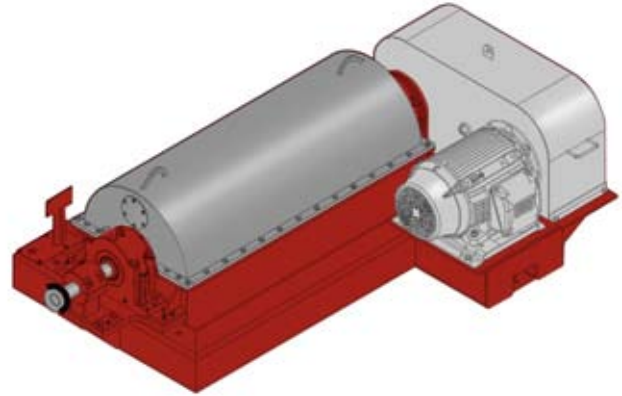
**Dupps performance and  
durability built into a  
proven design.**



- All models of the new Dupps-Gratt Rendering Decanter feature a similar configuration and footprint as commonly used 18 x 28, 24 x 38 and 24 x 60 rendering decanters.
- All process wetted components are stainless steel.
- Heavy-duty bearings feature circulated oil or grease lubrication.
- Many components are interchangeable with existing decanters of similar design.
- Prompt repair, maintenance and renewal service — including a full parts inventory — for Dupps-Gratt Rendering Decanters and similar equipment, is available through the Dupps' Centrifuge Service Group.

# DUPPS-GRATT RENDERING DECANTER

Dupps performance and durability built into a proven design.



Model	A - Length	B - Height	C - Width	Approx. Capacity*
DG-1828	2,159 mm • 85"	843 mm • 33.2"	1,763 mm • 69.4"	2,495 kg/hr • 5,500 lbs/hr
DG-2438	2,640 mm • 104"	1,067 mm • 42"	1,905 mm • 75"	5,990 kg/hr • 13,200 lbs/hr
DG-2460	3,080 mm • 121.3"	1,067 mm • 42"	1,985 mm • 78.2"	9,980 kg/hr • 22,000 lbs/hr

\*Capacity shown is for pork/poultry fat feedstock; capacities vary for other feedstock materials.  
Due to ongoing product improvements, data shown here is subject to change without notice.



**Dupps Separation Technology** includes Dupps-Gratt Centrifuge Technology and the Dupps Centrifuge Service Group. With a full line of proven, high-performance centrifugal decanters, centrifuges and accessories backed by responsive, expert service, Dupps Separation Technology assures customers of reliable, efficient operation and maximum uptime.

**For more information about Dupps Separation Technology products and services, email [DuppsSeparationTech@dupps.com](mailto:DuppsSeparationTech@dupps.com), visit [www.dupps.com](http://www.dupps.com) or contact one of our offices:**



Dupps - Ankeny • Ankeny, Iowa • Phone: 515/964-1110  
The Dupps Company • Germantown, Ohio • Phone: 937/855-6555